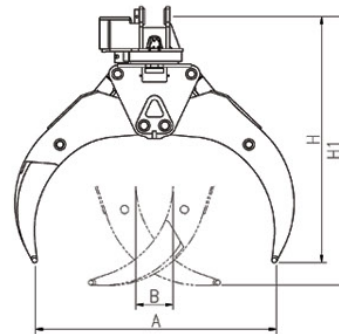
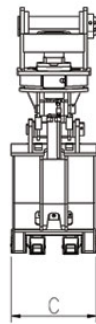
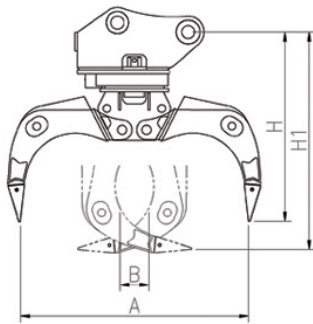


SNS WOOD GRAPPLE

Sun and Shield

Application for Excavator



SWG-LT (Linkage Type)

SWG-PT (Pendulum Type)

MODEL	EXCAVATOR	WEIGHT (kg)	A(mm)	B(mm)	C(mm)	H(mm)	H1(mm)
SWG600H-PT	12 - 18 tons	840	1500	210	496	1650	1822
SWG600H-LT	12 - 18 tons	825	1500	260	560	1310	1515
SWG800H-PT	18 - 25 tons	1075	1520	305	521	1725	1895
SWG800H-LT	18 - 25 tons	950	1700	300	670	1550	1750
SWG1000H-PT	25 - 36 tons	1305	1908	305	580	2000	2185
SWG1000H-LT	25 - 36 tons	1250	1950	365	780	1750	1950

Excavator Attachment



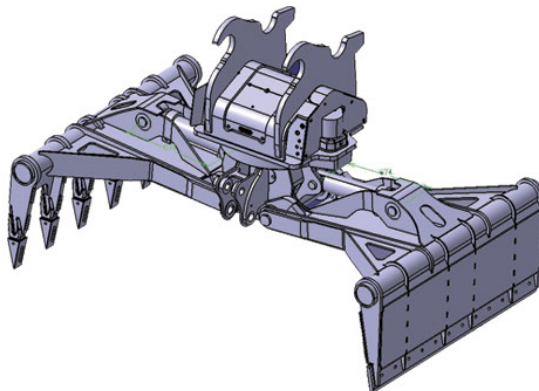
Loader Attachment



SNS POWER GRAPPLE

Features

- 360° continuous rotation and internal hydraulic relief.
- Powerful jaws with two vertical cylinders and expected the long life time by using AR400 steel.
- Durable and built to maximum load capacity.
- Optimized for the forest working condition.



SNS MAT GRAPPLE

Features

- Designed specifically for the rig mat handling.
- Ability to remove, place, stack and load rig mats quickly and efficiently.
- Blade and teeth or double blade type can be available.



SNS BUTT'N TOP GRAPPLE

Features

- Designed for handling tree length wood by 4 point grap.
- Easy maintenance by bolt on cylinder heads.
- Faster and simple installation to the excavator.



Sun and Shield

Application for Excavator

Excavator Attachment

Loader Attachment