

# SNS SUPER LONG REACH

Sun and Shield

Application for Excavator



- DRAINAGE CANAL CONSTRUCTION & MAINTENANCE.
- LIGHT DUTY EXCAVATION AT SUPER LONG REACH.

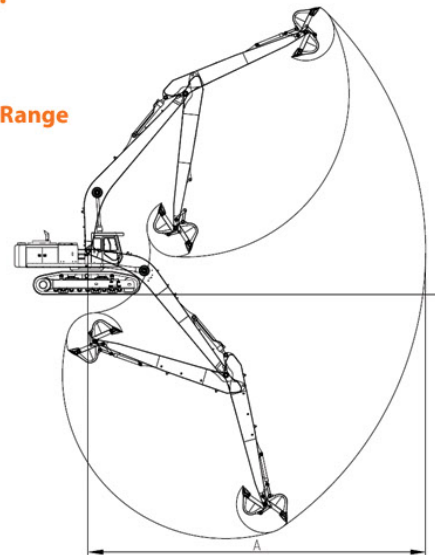
### All packages come fully equipped with

- Long boom and long arm.
- Arm and bucket cylinders.
- Bucket linkage assemblies and pins.
- Boom and arm hydraulic piping.
- Additional counterweight kits.

### Features

- High strength, low alloy steel yields maximum strength to weight ratio.
- Customized design for specific reach and digging force.
- A large variety of ditch cleaning and general purpose buckets available.
- Mass excavation version (short boom, short arm, big bucket) available.
- Additional piping available for hydraulic tools (Option).

### Working Range



Excavator Attachment

Loader Attachment

EXCAVATOR CLASS	12 - 14 tons (27,000 - 31,000 lbs)		16 - 20 tons (35,000 - 44,000 lbs)		20 - 24 tons (44,000 - 52,000 lbs)		24 - 27 tons (52,000 - 59,000 lbs)		27 - 32 tons (59,000 - 70,000 lbs)		32 - 40 tons (70,000 - 88,000 lbs)		40 - 50 tons (88,000 - 110,000 lbs)		60 - 70 tons (132,000 - 154,000 lbs)		80 - 90 tons (176,000-198,000 lbs)	
	SNS MODEL	SLR14-39	SLR18-44	SLR21-50	SLR25-55	SLR30-60	SLR36-60	SLR45-65	SLR65-65	SLR65-70	SLR85-79	SLR85-90						
(A) Max Digging Reach	m	12.0	13.5	15.3	16.8	18.4	18.4	19.7	20.0	21.3	23.9	27.4						
	ft	39'4"	44'3"	50'2"	55'1"	60'4"	60'4"	64'8"	65'6"	69'11"	78'5"	89'11"						
Recommended GP Bucket Capacity	Model	GP07-27	GP10-27	GP10-30	GP10-30	GP10-33	GP20-36	GP30-42	GP40-54	GP40-48	GP40-54	GP40-48						
	cu.m	0.28	0.35	0.40	0.40	0.45	0.66	0.92	1.44	1.25	1.44	1.25						
	cu.yd	0.37	0.46	0.52	0.52	0.59	0.86	1.20	1.88	1.64	1.88	1.64						
Recommended Ditch Bucket Capacity	Model	DC07-36	DC10-42	DC10-48	DC10-54	DC10-54	DC20-60	DC20-60	DC40-90	DC40-78	DC40-90	DC40-78						
	cu.m	0.28	0.39	0.45	0.51	0.51	0.66	0.66	1.44	1.24	1.44	1.24						
	cu.yd	0.37	0.51	0.59	0.67	0.67	0.86	0.86	1.88	1.62	1.88	1.62						

Working range shown is a general representation and will vary with machine and attachment size. These details are for guidance only and may be changed for improvement without prior notice.



**SLR Option Equipment**



Sand Bucket



General Purpose Bucket



Ditch Cleaning Bucket



Tilt Bucket



Sun and Shield

Application for Excavator

Excavator Attachment

Loader Attachment