

SNS LOG LOADER

Sun and Shield

Application for Excavator



- **LOADING, UNLOADING AND SORTING TIMBERS AND LOGS.**
- **HANDLING BEAM, LONGISH SCRAP AND WOOD WASTE.**

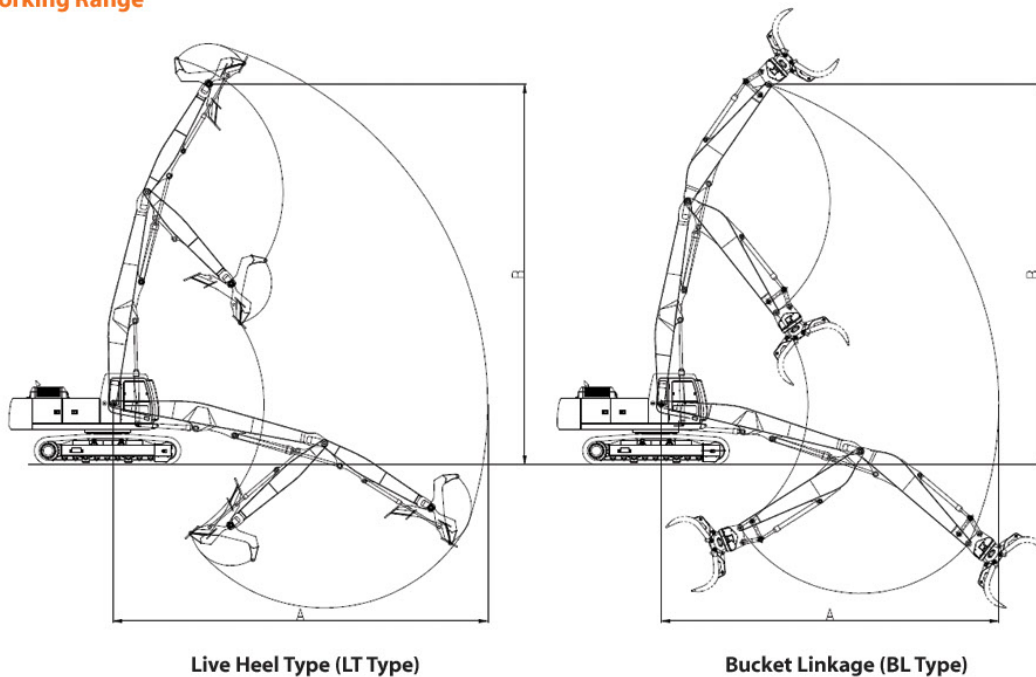
All packages come fully equipped with

- Boom and arm.
- Basic and open/close piping on boom and arm.
- Rotating and grease piping on boom and arm.
- Arm cylinder and arm cylinder guard.
- Bucket or heel cylinder and additional c/w kits.
- Pins from boom center to arm end.
- Optional riser cab kits available.

Features

- Reinforced box section design and high strength steel yields max. strength for tough working condition.
- Large diameter pins and wide joints absorb the strain of big loads.
- Live heel, bottom cylinder type as standard.
- Live heel, top cylinder type as option to provide more reach and height.
- A large variety of wood grapple available.
- Cylinder protection guard. (OPTION)

Working Range



Working range shown is a general representation and will vary with machine and attachment size.

Excavator Attachment

Loader Attachment



EXCAVATOR CLASS		20-22 tons 44,000-49,000 lbs		24-26 tons 53,000-57,000 lbs		27-32 tons 59,000-70,000 lbs		32-40 tons 70,000-88,000 lbs		
SNS MODEL		SLL21-36-LH	SLL21-29-BL	SLL24-36-LH	SLL24-34-BL	SLL30-38-LH	SLL30-38-BL	SLL36-43-LH	SLL36-38-BL	
A	MAX. WORKING REACH	m	11.0	8.9	11.0	10.4	11.6	11.6	13.1	11.6
		ft	36'0"	29'2"	36'0"	34'1"	38'0"	38'0"	43'0"	38'0"
B	MAX. PIN HEIGHT	m	12.8	10.4	12.8	11.8	13.5	12.8	15.1	13.8
		ft	42'0"	34'1"	42'0"	38'7"	44'2"	42'0"	49'5"	45'3"

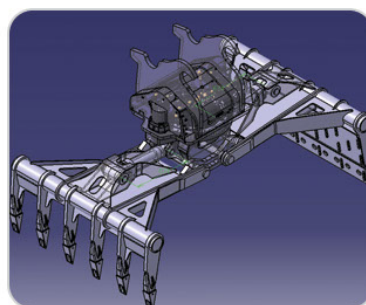
These details are for guidance only and may be changed for improvement without prior notice.

SLL Option Equipment

- Attachment



Power Grapple (SPG)



MAT Grapple (SMG)



Wood Grapple (SWG-PT)